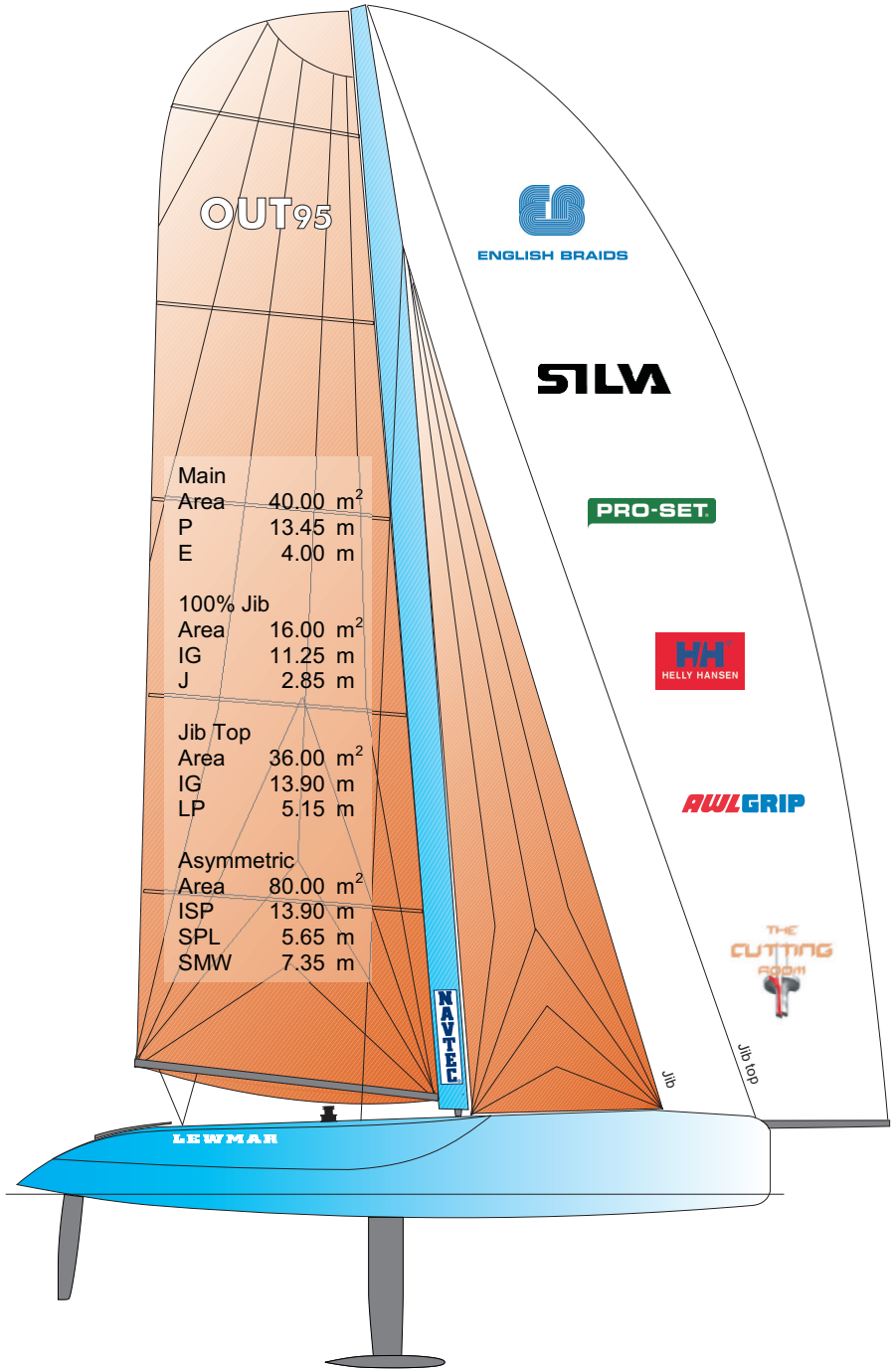


OUT95

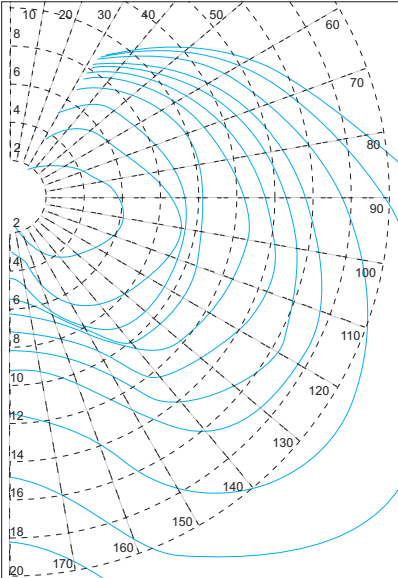
monomaran



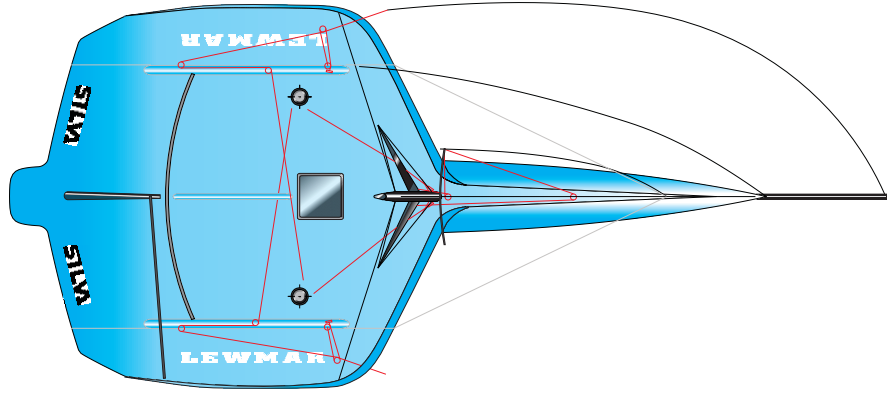
Main	
Area	40.00 m ²
P	13.45 m
E	4.00 m
100% Jib	
Area	16.00 m ²
IG	11.25 m
J	2.85 m
Jib Top	
Area	36.00 m ²
IG	13.90 m
LP	5.15 m
Asymmetric	
Area	80.00 m ²
ISP	13.90 m
SPL	5.65 m
SMW	7.35 m


- Award winning wave piercing hull form.
- Fast and fun in all wind strengths, upwind as well as down.
- Simply trailed with lifting bulb keel and two-part mast.
- Super lightweight carbon composite construction.

POLAR TRAPEZE



Windspeed 2, 4, 6, 8, 10, 12, 14, 16, 20, 25, 30knts



SPECIFICATION	
LOA	9.57 m
Beam	4.80 m
Draft	2.13 m
Displacement	900 Kg
Ballast	360 Kg
Crew weight	400 Kg
Out and Out Solutions Ltd 11 Cliffe Avenue, Hamble Hants, England SO31 4LH	
Tel +44 (0)7770 608287 or +44 (0)7968 848340	
www.out95.com design@out95.com	
 © OOS 2006	